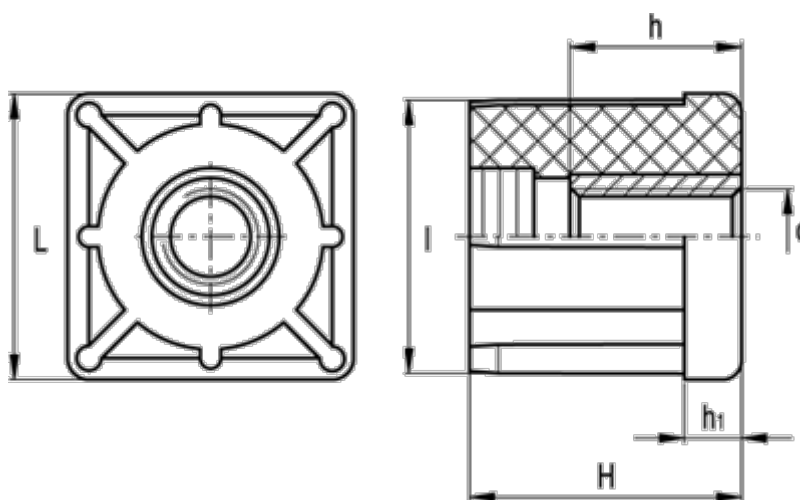


Article number: 2310320075  
Description: E+G Square end-cap  
NDX.Q-40x1.2-M16

## Measures



d	= M16	Tube wall thickness = 1.2
h	= 15	Weight (g) = 49
H	= 38	
h1	= 8	
Internal tube size	= 37.6	
l	= 37.6	
L	= 40	
Outer tube size	= 40	